

Base Plate Installation Procedure

Your umbrella comes with a spigot. Once you have installed the base plate according to the instructions below, attach the spigot to the base plate using the supplied allen key and bolts. Lift the umbrella on to the spigot. This is recommended as a two man operation.

There are 2 installation alternatives. Select which suits your situation.

(1) Fixing the base plate to a timber deck:

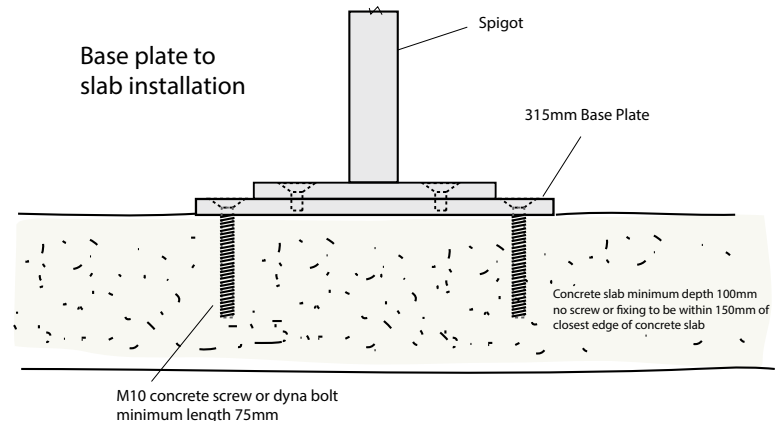
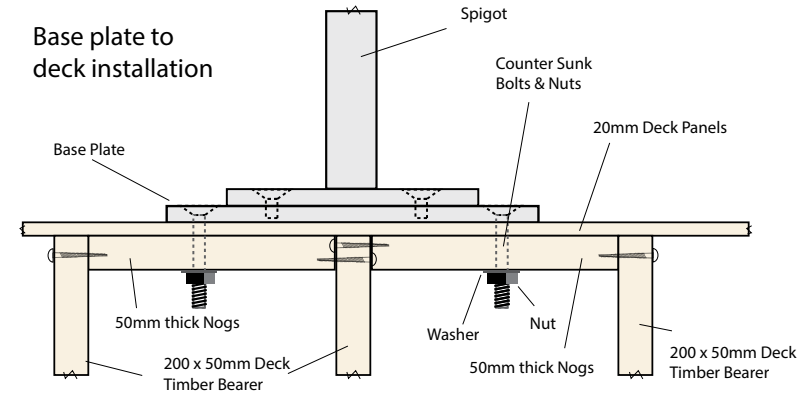
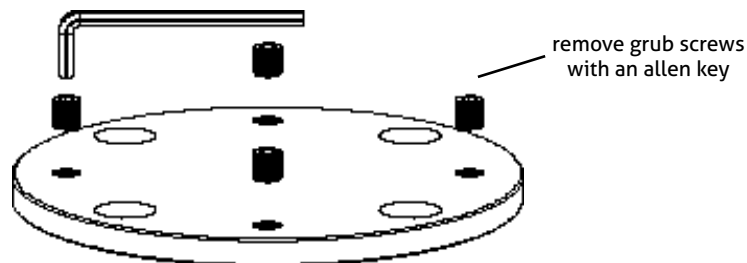
Your spigot must be bolted to the frame of the deck and not only to the deck planking. You need to fasten 1 or 2 "nogs" or "dwangs" or "braces" between the deck joists or bearers that form the structural frame of the deck. It is suggested that 2 nogs of 20cm width and 50mm -100mm thickness be secured hard up under the deck planking and between the deck bearers and fasten these braces to the joists/bearers with suitable fastenings. These may be large galvanised nails, Z nails, builders brackets or similar. The base plate should now be set in the required position and bolted through the deck planking and the fixed braces by using 12mm x 150mm stainless bolts and nuts with a large washer on the underside.

(2) Fixing to a concrete slab:

When installing your umbrella on a concrete surface fix the base plate to the concrete using 4 concrete screws or "dyna-bolts" or similar fastenings. The diameter of the countersunk hole in the base plate is 12mm, so use M10 or M12 fastenings depending on whether they have external thread (ie. Make sure they fit through the base plate holes). The length of the fastenings will depend on the depth of the concrete and whether there are any tiles or paver's above the concrete. As a minimum, 75mm of fastening in concrete is required.

Important: Align one of the countersunk holes in the base plate with your desired 12'o'clock position on the umbrella.

TIP: The base plate comes with four "grub-screws" pre-installed in the threaded holes. Remove the grub-screws with an allen key prior to installation.



Inground Installation Procedure

Your umbrella comes with a spigot. Once you have installed the inground according to the instructions below, attach the spigot to the inground using the supplied allen key and bolts. Once concrete has fully cured, lift the umbrella on to the spigot. This is recommended as a two man operation.

Installing inground in lawn, soil or patio:

The inground is a galvanised steel fitting that must be concreted into position. Because terrain differs from thick clay to sand or fine soil then a different sized hole must be prepared and a different volume of concrete used. As a guide only a hole 50cm by 50cm by 70cm deep is a minimum requirement for heavy clay terrain. Even then a post hole borer can be used to deepen the centre of the footing. When pouring the concrete it is advisable to drop a few lengths of reinforcing steel bar into the hole to prevent the concrete from cracking. Remember that depth of hole is better than width and it is much easier to make the hole over size than to try to re-stabilise the in-ground fitting should it start to move over time. If applicable, patio tiles or paver's have to be removed to facilitate this in-ground fitting and then cut to suit when replaced. If installing through a thin layer of concrete or bitumen, a core drill should be used to drill a 150mm diameter hole in the concrete/bitumen. The remainder of the hole below can then be dug out by hand or post hole digger.

Important: Align one of the screw holes in the top of the with your desired 12'o'clock position on the umbrella. Ensure that the in-ground fitting is level in the concrete. Allow adequate time for the concrete to cure before erecting the umbrella.

TIP: The inground comes with four "grub-screws" pre-installed in the threaded holes. This is to prevent concrete slurry working its way up into the threaded holes. As an added precaution it is a good idea to stick some tape on the underside of the holes. Once the inground has been installed, remove the grub-screws with an allen key.

